

Tractel®'s Davitrac™+ is an anchor point that can secure up to three 330 lb. (150 kg) users. It can also be used as a lifting anchor point to lift a maximum load of 1,100 lb. (500 kg). It is foldable and its size makes it easy to transport in small construction vehicles, and it is easy to handle.

The Davitrac™+ is designed for people who have access to confined spaces such as silos, sewers, etc.

The Davitrac™+ is supplied with a multi-purposes head for both fall protection and lifting which is mounted on the boom.

The mast can be equipped with three Tractel® anchor brackets to which can be attached; a Blocfor® bi-directional retrieval lifeline, a rescue or lifting work winch or a Scafor®.

When the Davitrac™+ is fitted with a fall arrest or lifting system fixed to the mast, it is necessary to position the cable correctly on the pulleys dedicated either to PPE or to material lifting on the head of Davitrac™+.

The Davitrac™+ is made in aluminium and is therefore very light. It can be fitted with equipment that enables it to meet various standards. It can be configured according to the work to be carried out.

To assist in the selection of the Davitrac™+ with its compatible equipment, a configurator has been developed and put into operation at www.tractel.com.

FEATURES

- Made in aluminium
- Weighs 73 lb. (33 kg).
- Adjustable anchor head from 5.5 to 6.3 ft. (1.68 to 1.92 m) (max height above the head) with a offset on the arm from 15¾ to 27½ in. (400 to 700 mm) adjustable every 6 in. (15 cm).
- Can be fixed to the structure by four types of permanent adapters or combined with a temporary self-stabilising adapter:
 - The wall mounted adapter (1) allows the Davitrac™+ adapter to be installed on the upper access points of a wall.
 - The clearance mural adapter (2) has an offset of 11½ in. (291 mm) and allows the Davitrac™+ to rotate freely when installed on a wall.
 - The mounted floor adapter (3) is installed directly on any flat surface.
 - The flush floor adapter (4) is fixed in a concrete slab by drilling a 5¾ in. (145 mm) hole.
 - The portable H self-stabilising adapter (5) provides increased mobility for the Davitrac™+ and can be installed on any flat surface.

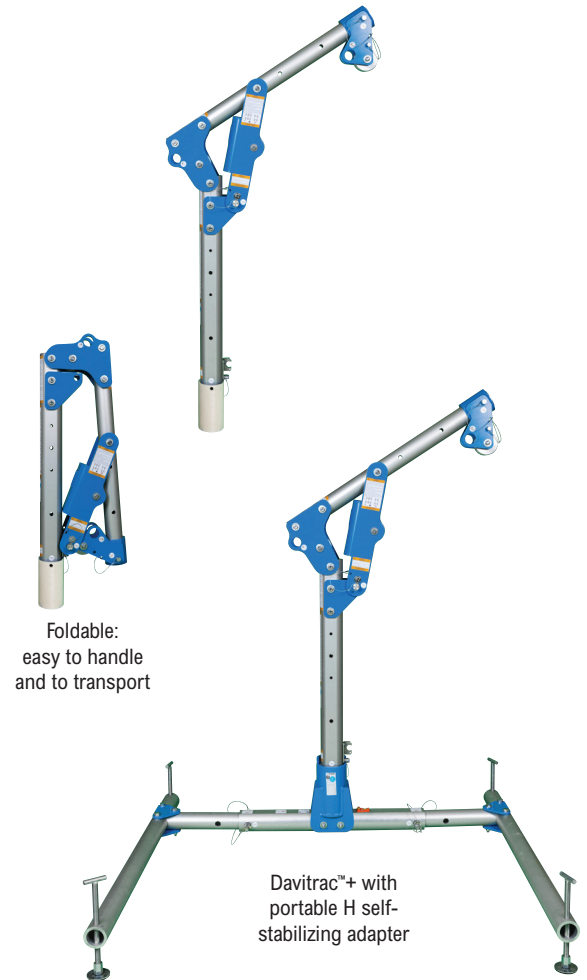
The four permanent adapters must be installed with with M16 chemical anchors.

⚠ WARNING

In any case, the Davitrac™+ can only support a lifting load of up to 1,100 lb. (500 kg).

⚠ WARNING

Only brackets and equipment approved by Tractel® can be installed on the Davitrac™+.



Foldable:
easy to handle
and to transport

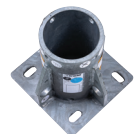
Davitrac™+ with
portable H self-
stabilizing adapter



1. Wall mounted
adapter



2. Clearance mural
adapter



3. Mounted floor
adapter



4. Flush
floor adapter



5. Portable H
self-stabilizing
adapter

⚠ WARNING

In any case the Davitrac™+ arm cannot be used as a lifting means when used as a fall arrest anchor.

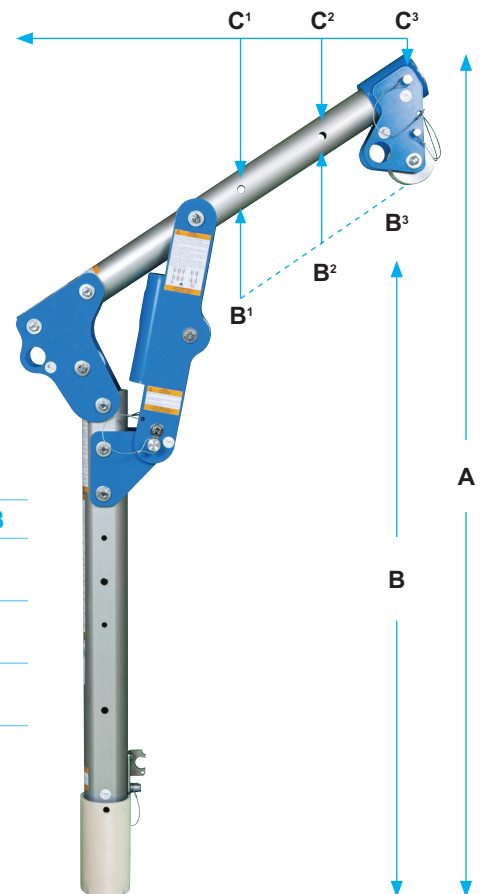
APPLICATIONS

- Rescue
- Confined spaces
- Rope works
- Manholes
- Pits
- Sewer access
- Pipes
- Oil and gas
- Civil engineering
- Industry
- Wind and solar installation

APPLICABLE STANDARDS

- CSA Z259.15-17
- ANSI Z359.18-17
- Meets or exceeds OSHA

| | POSITION | CLOSED | OPENING 1 | OPENING 2 | OPENING 3 |
|----------|--|-----------------------|-----------------------|-----------------------|-----------------------|
| A | TOTAL HEIGHT | 47½ in. (1,216 mm) | 75½ in. (1.9 m) | 75½ in. (1.9 m) | 75½ in. (1.9 m) |
| B | USEFUL HEIGHT | – | 55½ in. (1,400 mm) | 59⅞ in. (1,520 mm) | 64⅞ in. (1,640 mm) |
| C | POSITION OF THE HEAD OF THE ARM | – | 15¼ in. (40 cm) | 21¾ in. (55 cm) | 27½ in. (70 cm) |

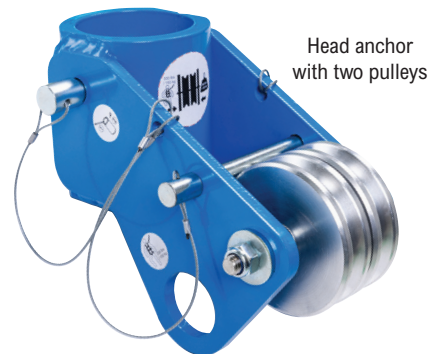


THE DIFFERENT ANCHOR POINTS

Davitrac™+ head anchor

The single head of the Davitrac™+ is designed as:

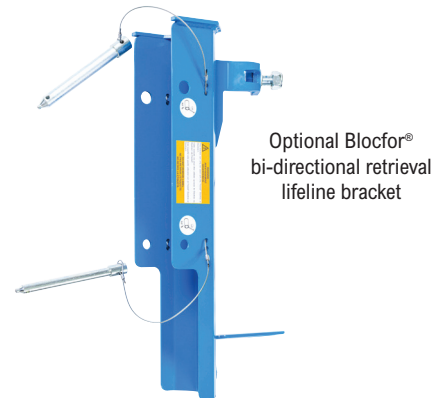
- One PPE anchor point up to 330 lb. (150 kg)
- One anchor point for material lifting up to 1,100 lb. (500 kg)
- One PPE pulley up to 330 lb. (150 kg)
- One pulley for material lifting up to 1,100 lb. (500 kg)



Optional brackets

The anchor points that can be adapted to the Davitrac™+ mast (the Tractel® brackets) are designed to:

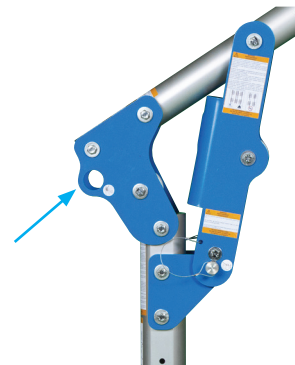
- Install PPE:
 - 50 or 100 ft. (15 or 30 m) Blocfor® bi-directional retrieval lifeline with a maximum capacity of 310 lb. (140 kg).
- Install a winch for rope access:
 - 65 or 100 ft. (20 or 30 m) work winch with a maximum capacity of 330 lb. (150 kg).
- Install lifting winches:
 - 50 or 100 ft. (15 or 30 m) work winch with a maximum capacity of 880 lb. (400 kg).
 - 100 to 330 ft. (30 to 100 m) Scafor® manual hoist with a maximum capacity of 880 lb. (400 kg).



PPE anchor points

The two PPE anchor points on the pivot of the mast joint of the Davitrac™+ are designed to:

- Install a PPE (lanyard, Blocfor®...)
 - with a maximum capacity of up to 330 lb. (150 kg).



THE DIFFERENT OPERATION WITH DAVITRAC™+

Confined access operation

WARNING

Two operators must always participate in a confined access operation.

- The operator(s) remaining on top will be secured with the anchor point on the pivot of the mast with a lanyard.
- The operator going down will be secured through one of the two possibilities the Davitrac™+ offers:
 - Using a Blocfor® bi-directional retrieval lifeline combined with its bracket and installed on the mast AND a work winch and its bracket installed on the mast.
 - Using a Blocfor® bi-directional retrieval lifeline combined with its bracket and installed on the mast AND a Scafor® manual hoist and its bracket installed on the mast.

Rescue operation

WARNING

The rescue operation must always be taken into consideration before using a Blocfor® bi-directional retrieval lifeline, a work winch or a Scafor® manual hoist on the Davitrac™+.

- When the Davitrac™+ is used for a rescue operation, the injured person can be rescued using the winch from Blocfor® bi-directional retrieval lifeline. For this operation the rescuer does not need to secure the injured person with an additional fall arrest system.
- The rescuer needs to secure themselves to one of the anchor points on the pivot of the mast to operate the winch.

Rope-suspended operation

- To move underneath the Davitrac™+ crane arm, the user must comply with the legislation on rope access and positioning techniques. The system must comprise at least one work rope, constituting a means of access, ascent or descent and support, and a safety rope equipped with a fall arrest system (fall arrest device on flexible belaying support type Stopfor® B rope grab or automatic fall arrest device as the Blocfor®). These two devices must be anchored separately on two anchor points or on an anchor point that has been the subject of a calculation note drawn up by the employer or a competent person. Workers must be equipped with an appropriate fall arrest harness. They must use it and connect it to both the safety rope and the work rope. The ropes must each be connected to the mast using a Tractel® bracket.

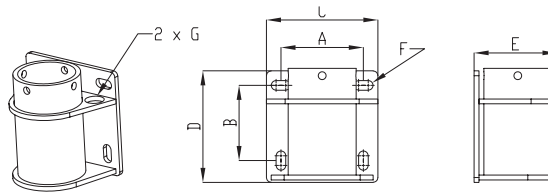
THE ADAPTERS

The Davitrac™+ adapters are exclusively designed to be installed with the Davitrac™, Davitrac™+ or Davimast manufactured by Tractel®. They allow the Davitrac™+ to rotate 360° in relation to its axis.

They are fixed with four heavy duty chemical anchors with a diameter of 5/8 in. (16 mm). They can be installed without any specific tools and are quick and easy to install.

Wall mounted adapter

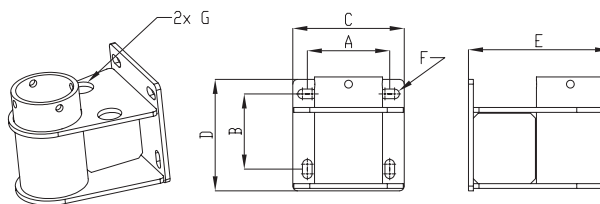
The wall mounted adapter allows the Davitrac™+ to be installed on a high point access to a vertical surface. It is equipped with two PPE anchoring points of 330 lb. (150 kg) each which can be used by up to two operators to secure themselves when installing the Davitrac™+.



| MATERIAL | WEIGHT | A | B | C | D | E | F |
|------------------|--------------------|--------------------|----------------|----------------|----------------|--------------------|-----------------|
| Galvanized steel | 29.8 lb. (13.5 kg) | 6 5/8 in. (170 mm) | 6 in. (155 mm) | 9 in. (230 mm) | 9 in. (230 mm) | 6 5/8 in. (171 mm) | 3/4 in. (20 mm) |

Clearance mural adapter

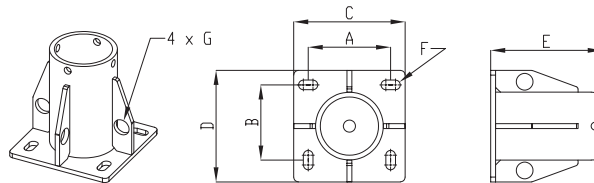
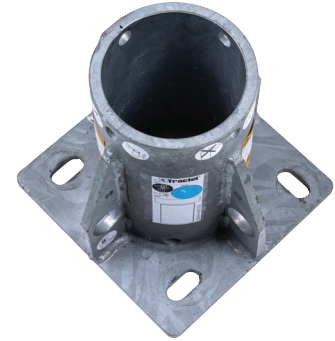
The clearance mural adapter allows the Davitrac™+ to be installed at any point on a vertical surface. It has an offset of 11 1/2 in. (291 mm) and is equipped with two PPE anchoring points of 330 lb. (150 kg) each, which can be used by up to two operators to secure themselves during the installation of the Davitrac™+.



| MATERIAL | WEIGHT | A | B | C | D | E | F |
|------------------|--------------------|--------------------|----------------|----------------|----------------|---------------------|-----------------|
| Galvanized steel | 40.8 lb. (18.5 kg) | 6 5/8 in. (170 mm) | 6 in. (155 mm) | 9 in. (230 mm) | 9 in. (230 mm) | 11 1/2 in. (291 mm) | 3/4 in. (20 mm) |

Mounted floor adapter

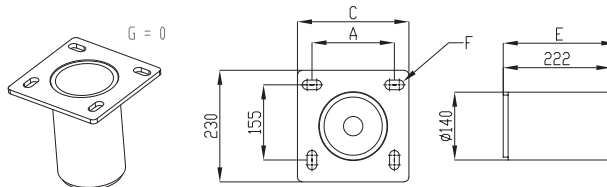
The mounted floor adapter allows the Davitrac™+ to be installed at any point on a horizontal surface. It is equipped with four PPE anchoring points of 330 lb. (150 kg). A maximum of two operators can be secured when installing the Davitrac™+.



| MATERIAL | WEIGHT | A | B | C | D | E | F |
|------------------|--------------------|--------------------|----------------|----------------|----------------|----------------|-----------------|
| Galvanized steel | 27.6 lb. (12.5 kg) | 6 5/8 in. (170 mm) | 6 in. (155 mm) | 9 in. (230 mm) | 9 in. (230 mm) | 9 in. (230 mm) | 3/4 in. (20 mm) |

Flush floor adapter

The flush floor adapter allows the Davitrac™+ to be installed on the floor on a horizontal surface. It is fixed in a concrete slab by drilling a 5 3/4 in. (145 mm) hole. A protective cap is also available for this adapter.



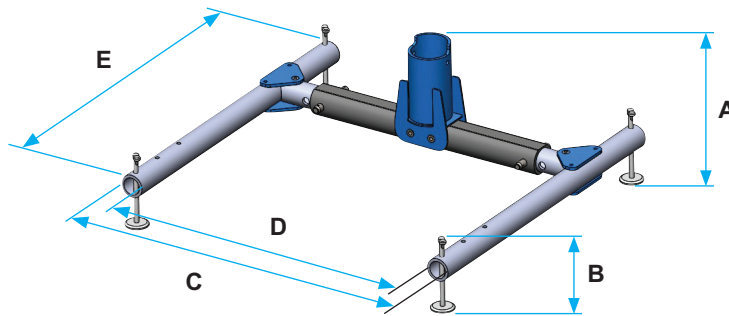
| MATERIAL | WEIGHT | A | B | C | D | E | F |
|------------------|--------------------|--------------------|----------------|----------------|----------------|--------------------|-----------------|
| Galvanized steel | 23.8 lb. (10.7 kg) | 6 5/8 in. (170 mm) | 6 in. (155 mm) | 9 in. (230 mm) | 9 in. (230 mm) | 9 1/8 in. (232 mm) | 3/4 in. (20 mm) |

Portable H self-stabilizing adapter

The portable H self-stabilizing adapter allows the Davitrac™+ to be installed and moved on all flat surfaces.

It is foldable and lightweight which makes it easily transportable. It is adjustable to best adapt to the job site. It is equipped with a stopper limiting its rotation to 90° relative to its lifting axis in order to prevent the load from tilting.

The adapter is delivered in three parts, two legs of 36.6 lb. (16.6 kg) each and an adjustable adapter of 43.7 lb. (19.8 kg).



| MATERIAL | WEIGHT | A | B | C | D | E |
|--|----------------------|---------------------|--------------------|---------------------------------|---------------------------------|----------------------|
| Adapter in anodized aluminium and blue epoxy painted steel plate | 116.8 lb. (53 kg) | 18½ in. (470 mm) | 7¼ in. (198 mm) | 55¼–66⅞ in. (1,404–1,680 mm) | 52⅞–62⅞ in. (1,324–1,600 mm) | 59 in. (1,500 mm) |

THE BRACKETS

The Davitrac™+ brackets are exclusively designed to be installed with the Davitrac™ or Davitrac™+ manufactured by Tractel®. They give the Davitrac™+ the versatility needed to be a great asset in any job.

They can be installed without any specific tools and are quick and easy to install.

Blocfor® bi-directional retrieval lifeline bracket

The bracket for the Blocfor® bi-directional retrieval lifeline has been designed for installation on the mast of the Tractel® Davitrac™ and Davitrac™+. In order to use the Blocfor® correctly on the Davitrac™+, the cable must be placed on the PPE pulley attached to the head of the Davitrac™+ arm.

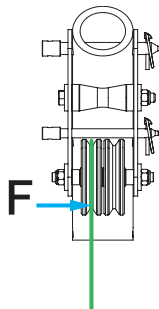
The choice of the pulley must be made according to the use of the system. For the Blocfor®, use the PPE pulley (F)

The main advantages of using the Blocfor® bi-directional retrieval lifelines are:

- A very good grip for its transport and installation.
- Simplified maintenance thanks to its optimised design.
- A rescue winch allowing a user weighing 310 lb. (140 kg) to be lifted for galva cable devices or 220 lb. (100 kg) to be lifted for stainless-steel cable devices

FEATURES

- Bracket delivered and assembled together with the chosen Blocfor®
- Can fit the standard 50 and 100 ft. (15 and 30 m) Blocfor® and Blocfor® bi-directional retrieval lifelines.
- Supplied with fixing pins to connect the bracket to the Davitrac™+.
- Material: steal with epoxy paint
- Weight: 8.4 lb. (3.8 kg)
- Height: 19⁵/₁₆ in. (490 mm)
- Width: 4¹/₂ in. (114 mm)
- Depth: 8 in. (202 mm)



Blocfor®
bi-directional
retrieval lifeline
with bracket

Scafor® manual winch bracket

The bracket for the Scafor® manual winch has been designed for installation on the mast of the Davitrac™ and Davitrac™+. In order to use the Scafor® correctly on the Davitrac™+, the cable must be placed on a pulley attached to the head of the Davitrac™+ arm.

The choice of the pulley must be made according to the use of the winch. For the Scafor®, use the lifting pulley (G) which can lift up to 880 lb. (400 kg).

The main advantages of using the Scafor® manual winch are:

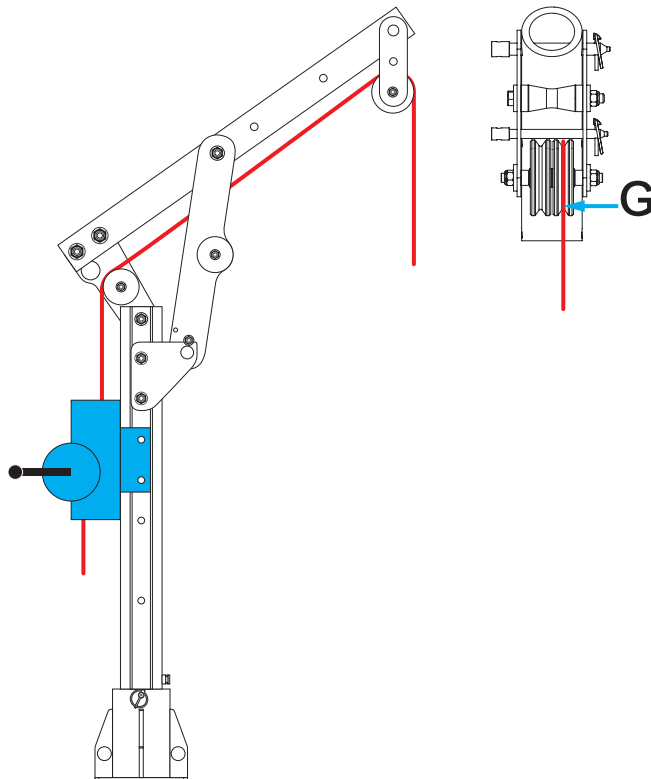
- Unlimited wire rope length
- Double crank (handle to ease operation)
- Internal safety break

FEATURES

- Bracket delivered and assembled together with the Scafor®.
- Can fit the Scafor® manual winch by Tractel®.
- Supplied with fixing pins to connect the bracket to the Davitrac™+.
- Material: steel with epoxy paint
- Weight: 6.4 lb. (2.9 kg)
- Height: 17 $\frac{1}{16}$ in. (432 mm)
- Width: 3 $\frac{7}{16}$ in. (98 mm)
- Depth: 6 $\frac{13}{16}$ in. (172 mm)



Scafor®
manual winch
with bracket



Work winch bracket

The work winches are material lifting equipment. They meet the requirements for material hoists with a maximum load of 880 lb. (400 kg).

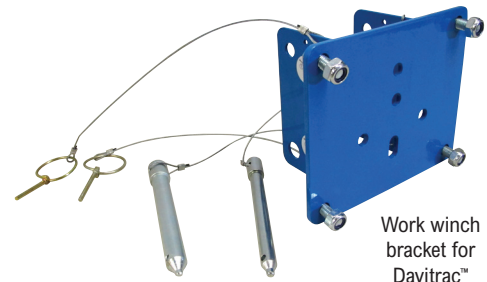
The work winch is a material lifting equipment that have been tested for installation to the mast of the Tractel® Davitrac™ and Davitrac™+. It is supplied with a specific bracket for this purpose.

The work winch can also be used for rope-suspended operation. Its wire rope act as the mean of access. In this use, the maximum capacity of the work winch is 330 lb. (150 kg).

The user performing the rope-suspended operations must always be connected to a fall arrest device (Blocfor®).

FEATURES

- Automatic brake
- Drum and gearwheel mounted on bronze bearings
- Corrosion resistant with trivalent zinc plated finish on the frame, mechanical parts and the drum
- 10 in. (25 cm) removable winch handle with mounting hardware
- Protection of users and mechanical parts by an ergonomic protective cover that can be removed for maintenance.
- Quick and easy cable connection
- Machine cut spur gears for accurate and long lasting service
- Equipped with anti-spin wire rope to ensure the safety and the non-rotation of the load or of the user performing rope-suspended operations.
- The work winch with its bracket is fixed with two pins to the Davitrac™+.
- Bracket delivered and assembled together with the selected work winch.

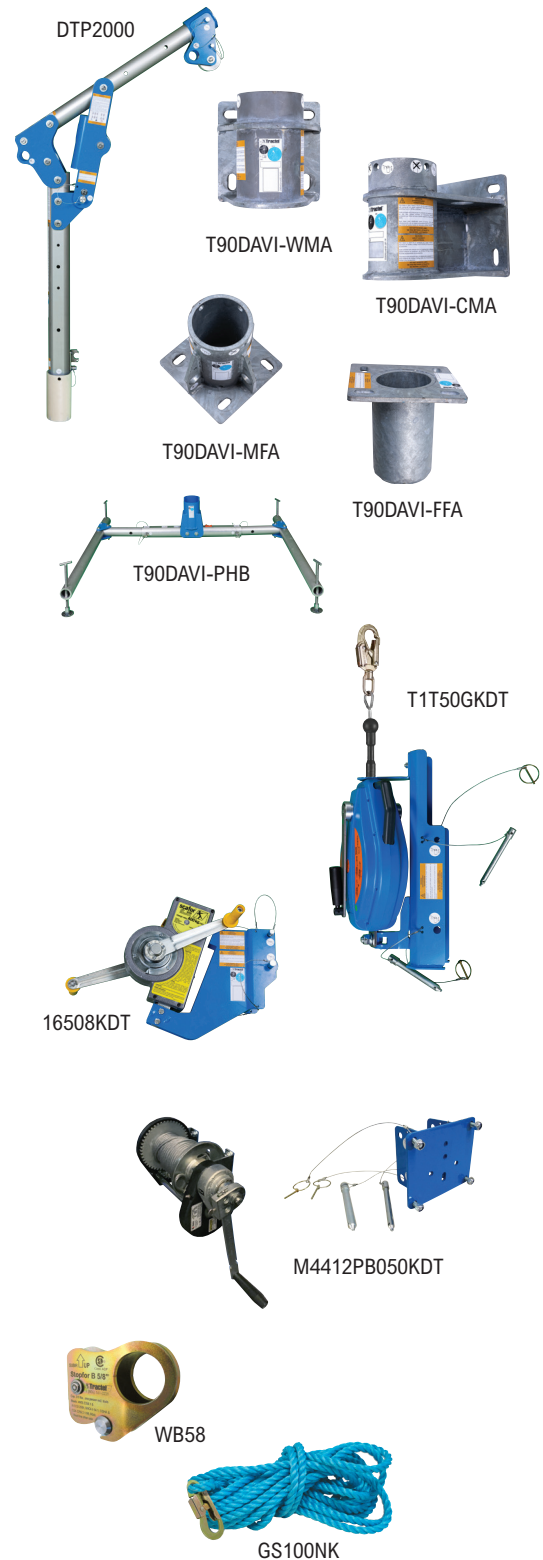


Work winch bracket for Davitrac™



Work winch

| PARTS | DESCRIPTION | WEIGHT |
|--|--|-----------------------|
| DTP2000 | Davitrac™+ davit arm with single head anchor for both PPE and material handling | 73 lb. (33 kg) |
| Adapters | | |
| T90DAVI-WMA | Wall mounted adapter | |
| T90DAVI-CMA | Clearance mural adapter | |
| T90DAVI-MFA | Mounted floor adapter | |
| T90DAVI-FFA | Flush floor adapter | |
| T90DAVI-CAP | Protective cap for flush floor adapter | |
| T90DAVI-PHB | Portable H self-stabilizing adapter | |
| Blocfor® bi-directional retrieval lifeline kits | | |
| T1T50GKDT | 50 ft. (15 m) Blocfor® bi-directional retrieval lifeline with galvanized steel wire rope and Davitrac™+ bracket | |
| T1T50SKDT | 50 ft. (15 m) Blocfor® bi-directional retrieval lifeline with stainless steel wire rope and Davitrac™+ bracket | |
| T1T100GKDT | 100 ft. (30 m) Blocfor® bi-directional retrieval lifeline with galvanized steel wire rope and Davitrac™+ bracket | |
| T1T100SKDT | 100 ft. (30 m) Blocfor® bi-directional retrieval lifeline with stainless steel wire rope and Davitrac™+ bracket | |
| Scafor® hand-operated wire rope hoist kit | | |
| 16508KDT | Scafor® hand-operated wire rope hoist and Davitrac™+ bracket | |
| Work winch kit | | |
| M4412PB050KDT | 50 ft. (15 m) work winch with galvanized steel wire rope and Davitrac™+ bracket | |
| M4412PB100KDT | 100 ft. (30 m) work winch with galvanized steel wire rope and Davitrac™+ bracket | |
| Optional Stopfor® B rope grab | | |
| WB58 | 5/8 in. (16 mm) Stopfor® B rope grab | 0.8 lb. (0.4 kg) |
| WB58 | 5/8 in. (16 mm) Stopfor® B rope grab with park feature | 0.8 lb. (0.4 kg) |
| GS25NK | 25 ft. x 5/8 in. (7.6 m x 16 mm) three strands rope for Stopfor® B rope grab | 3.4 lb. (1.5 kg) |
| GS50NK | 50 ft. x 5/8 in. (15 m x 16 mm) three strands rope for Stopfor® B rope grab | 6 lb. (2.7 kg) |
| GS75NK | 75 ft. x 5/8 in. (22 m x 16 mm) three strands rope for Stopfor® B rope grab | 8.6 lb. (3.9 kg) |
| GS100NK | 100 ft. x 5/8 in. (30 m x 16 mm) three strands rope for Stopfor® B rope grab | 11.2 lb. (5.1 kg) |
| GS150NK | 150 ft. x 5/8 in. (45 m x 16 mm) three strands rope for Stopfor® B rope grab | 17.2 lb. (7.8 kg) |
| GS200NK | 200 ft. x 5/8 in. (76 m x 16 mm) three strands rope for Stopfor® B rope grab | 22.7 lb. (10.3 kg) |



| | | |
|-----------------|---|---------------------|
| GS50NK | 50 ft. x 5/8 in. (15 m x 16 mm) three strands rope for Stopfor® B rope grab | 6 lb. (2.7 kg) |
| 261019 | Minifor® TR30 electric hoist – 660 lb. (300 kg) rated load, 17 fpm (5 m/min), 6½ ft. (2 m) pendant, 115 V | 46 lb. (20.9 kg) |
| 261029 | Minifor® TR30S electric hoist – 660 lb. (300 kg) rated load, 43 fpm (13 m/min), 6½ ft. (2 m) pendant, 115 V | 71 lb. (32.2 kg) |
| 261079 | Minifor® TR30S electric hoist – 660 lb. (300 kg) rated load, 43 fpm (13 m/min), 6½ ft. (2 m) pendant, 220 V | 71 lb. (32.2 kg) |
| 261039 | Minifor® TR50 electric hoist – 1,100 lb. (500 kg) rated load, 23 fpm (7 m/min), 6½ ft. (2 m) pendant, 115 V | 71 lb. (32.2 kg) |
| 261059 | Minifor® TR50 electric hoist – 1,100 lb. (500 kg) rated load, 23 fpm (7 m/min), 6½ ft. (2 m) pendant, 220 V | 71 lb. (32.2 kg) |
| 6423050K | 50 ft. x 1/4 in. (15 m x 6.5 mm) galvanised wire rope, preformed 5x19, for Minifor® electric hoist | |
| 6423080K | 80 ft. x 1/4 in. (36 m x 6.5 mm) galvanised wire rope, preformed 5x19, for Minifor® electric hoist | |
| 6423100K | 100 ft. x 1/4 in. (30 m x 6.5 mm) galvanised wire rope, preformed 5x19, for Minifor® electric hoist | |
| 6423150K | 150 ft. x 1/4 in. (45 m x 6.5 mm) galvanised wire rope, preformed 5x19, for Minifor® electric hoist | |
| 6423200K | 200 ft. x 1/4 in. (60 m x 6.5 mm) galvanised wire rope, preformed 5x19, for Minifor® electric hoist | |
| 6423250K | 250 ft. x 1/4 in. (75 m x 6.5 mm) galvanised wire rope, preformed 5x19, for Minifor® electric hoist | |



Tralift® manual chain hoist

| | | |
|--------------|--|----------------------|
| 56429 | 500 lb. (¼ t) Tralift® manual chain hoist with 10 ft. (3 m) lift chain | 7.1 lb. (3.2 kg) |
| 19709 | 1,000 lb. (½ t) Tralift® manual chain hoist with 10 ft. (3 m) lift chain | 18.7 lb. (8.5 kg) |



Derope® emergency escape/controlled descent device

| | | |
|------------------|---|-----------------------|
| KT7200/AK | 200 ft. (60 m) Derope® Up A rescue system including a 6 ft. (1.8 m) vinyl covered wire rope sling, a 5/8 in. (16 mm) autolocking carabiner, a J-knife and a rescue/rope bag. | 23.5 lb. (10.7 kg) |
| KT7300/AK | 300 ft. (91 m) Derope® Up A rescue system including a 6 ft. (1.8 m) vinyl covered wire rope sling, a 5/8 in. (16 mm) autolocking carabiner, a J-knife and a rescue/rope bag. | 26.9 lb. (12.2 kg) |
| KT7400/AK | 400 ft. (121 m) Derope® Up A rescue system including a 6 ft. (1.8 m) vinyl covered wire rope sling, a 5/8 in. (16 mm) autolocking carabiner, a J-knife and a rescue/rope bag. | 30.3 lb. (13.7 kg) |

KT7200/AK

Accessories

| | |
|-----------------|------------------------------|
| DTTR1000 | Davitrac™+ transport trolley |
| DTB1000 | Davitrac™+ transport bag |

